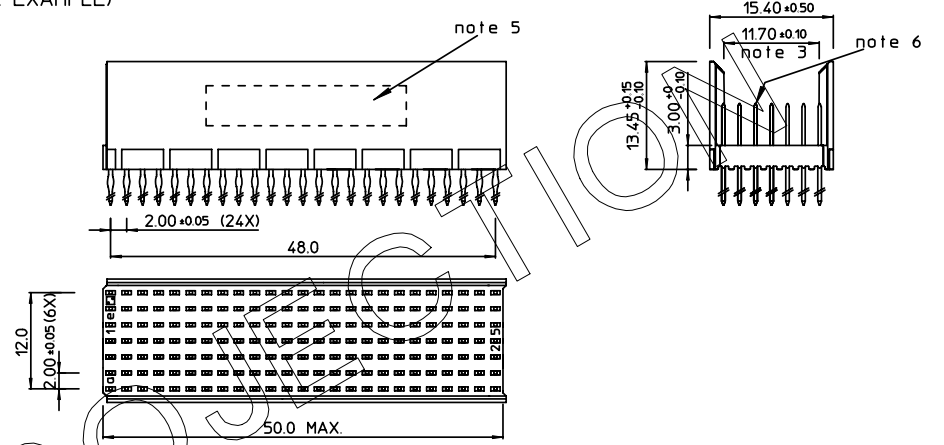


REV.	DATE	DESCRIPTION	BY	C'K'D'
A	2001-09-14	CONVERSION REVISION 02	KH	
B	2002-05-28	EC B20086	MF	
C	2005-11-05	105-Q221	ALEX B	BKP
D	2006-08-02	106-0118	ALEX B	BKP

LOADING PATTERN MATING SIDE

f	6	6	6	6	6	6	6	6	6	6	K	K	K	K	6	6	6	6	6	6	6	6	6	6	6	6												
e	4	4	4	4	4	4	4	4	4	4	7	7	7	7	7	4	4	4	4	4	4	4	4	4	4	4	4	4	4	4								
d	4	4	4	4	4	4	4	4	4	4	7	7	7	7	7	4	4	4	4	4	4	4	4	4	4	4	4	4	4	4	4							
c	4	4	4	4	4	4	4	4	4	4	4	4	4	4	4	4	4	4	4	4	4	4	4	4	4	4	4	4	4	4	4	4						
b	4	4	4	4	4	4	4	4	4	4	7	7	7	7	7	4	4	4	4	4	4	4	4	4	4	4	4	4	4	4	4	4	4					
a	4	4	4	4	4	4	4	4	4	4	7	7	7	7	7	4	4	4	4	4	4	4	4	4	4	4	4	4	4	4	4	4	4	4				
z	0	0	0	0	0	0	0	0	0	0	0	0	0	0	0	0	0	0	0	0	0	0	0	0	0	0	0	0	0	0	0	0	0	0				
PO	0	5									1	5																									2	5

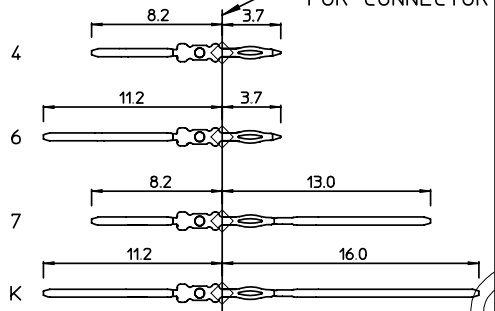
LOADED CONNECTOR ASSEMBLY  
(FOR EXAMPLE)



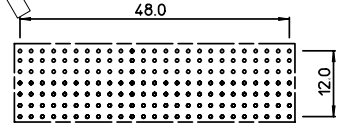
SHEET NR. : 968

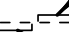
CONTACT OVERVIEW

SEATING PLANE FOR CONNECTOR



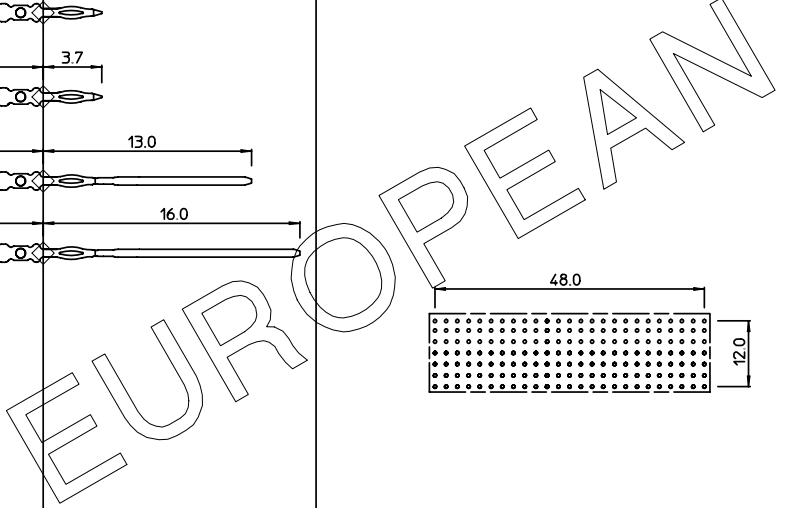
LAY-OUT P.C.B.-HOLE



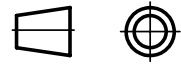
HM2P08PKJ2A5- LEAD FREE INDICATOR : LF = LEAD FREE (DIGIT 15 & 16)

PLATING CODE (DIGIT 13 AND 14)  
(REF DWG No. BS,C ,201844,003)

- NOTES:
1. THIS PRODUCT IS CSA APPROVED.
  2. THIS PRODUCT IS UL RECOGNIZED.
  3. MEASURED AT THE BOTTOM.
  4. MATERIAL CONTACT: PHOSPHORBRONZE  
HOUSING: CREAM WHITE GLASSFILLED POLYESTER UL-94V0
  5. CONNECTOR PRINTED WITH P/N AND DATE CODE.
  6. FOR ACTUAL CONTACT LOADINGS, SEE LOADING PATTERN MATING SIDE.
  7. SHAPE OF CONNECTOR HOUSING CAN ALTER DEPENDING ON PRODUCTION LOCATION.
  8. THE PRODUCT (LF) MEETS EUROPEAN UNION DIRECTIVES AND OTHER COUNTRY REGULATIONS AS DESCRIBED IN GS-22-008
  9. FOR RECOMMENDED PTH DIMENSIONS REFER DRAWING : BS.A ,201572,001



1DEC ±0,2 2DEC ±0,1 ANGLES ±1°	<b>APPR.</b>	<b>DATE</b>	<b>SIGN.</b>	LOADING PATTERN OVERVIEW	
WE RESERVE THE RIGHT TO CHANGE DIMENSIONS OR REQUIREMENTS WITHOUT PRIOR NOTICE.	DRAFT	1999-12-13	M.Fret	<b>CAT. No.</b> HM2P08PKJ2A5-----	
ALL DIMENSIONS IN MM	CHECKED			 <a href="http://www.fciconnect.com">www.fciconnect.com</a>	
	PROD. MGR.				SCALE
	PR. ENG. MGR.				
	PR. MGT. MGR.				



REFERENCES